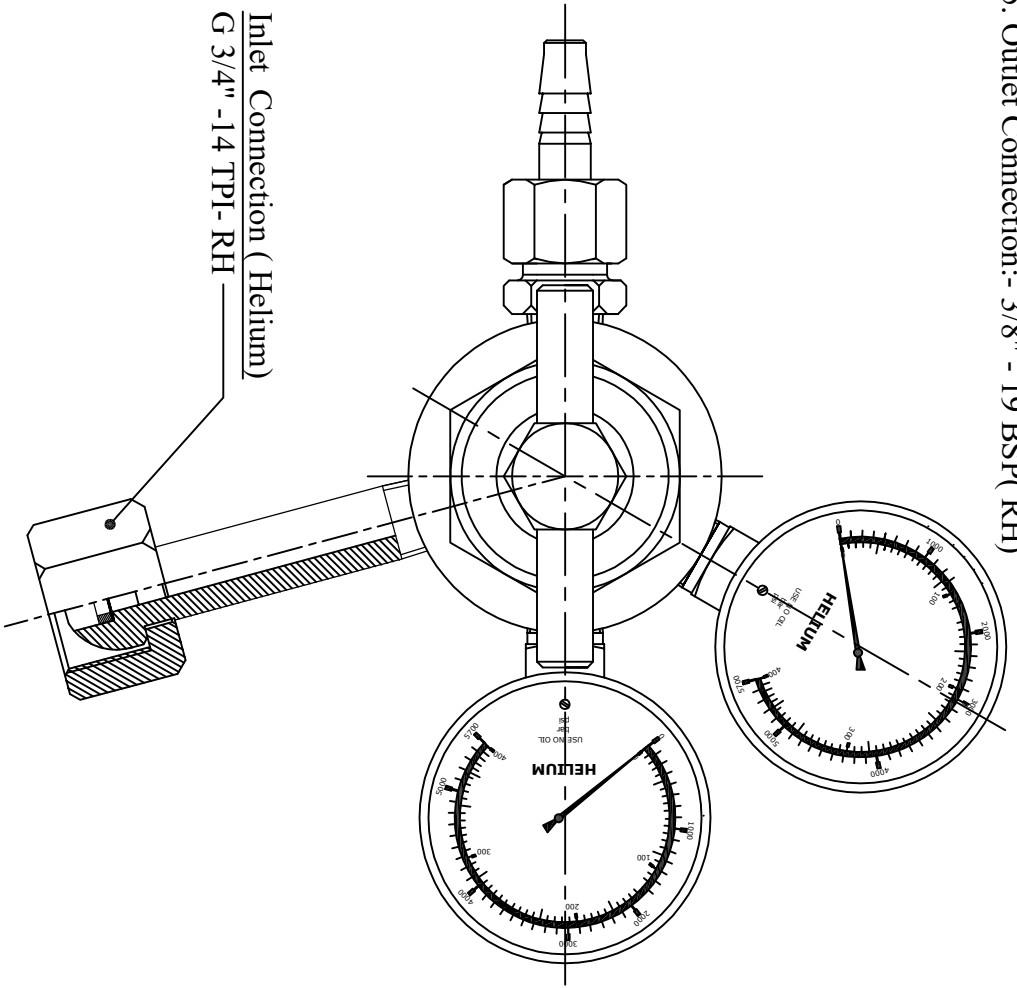
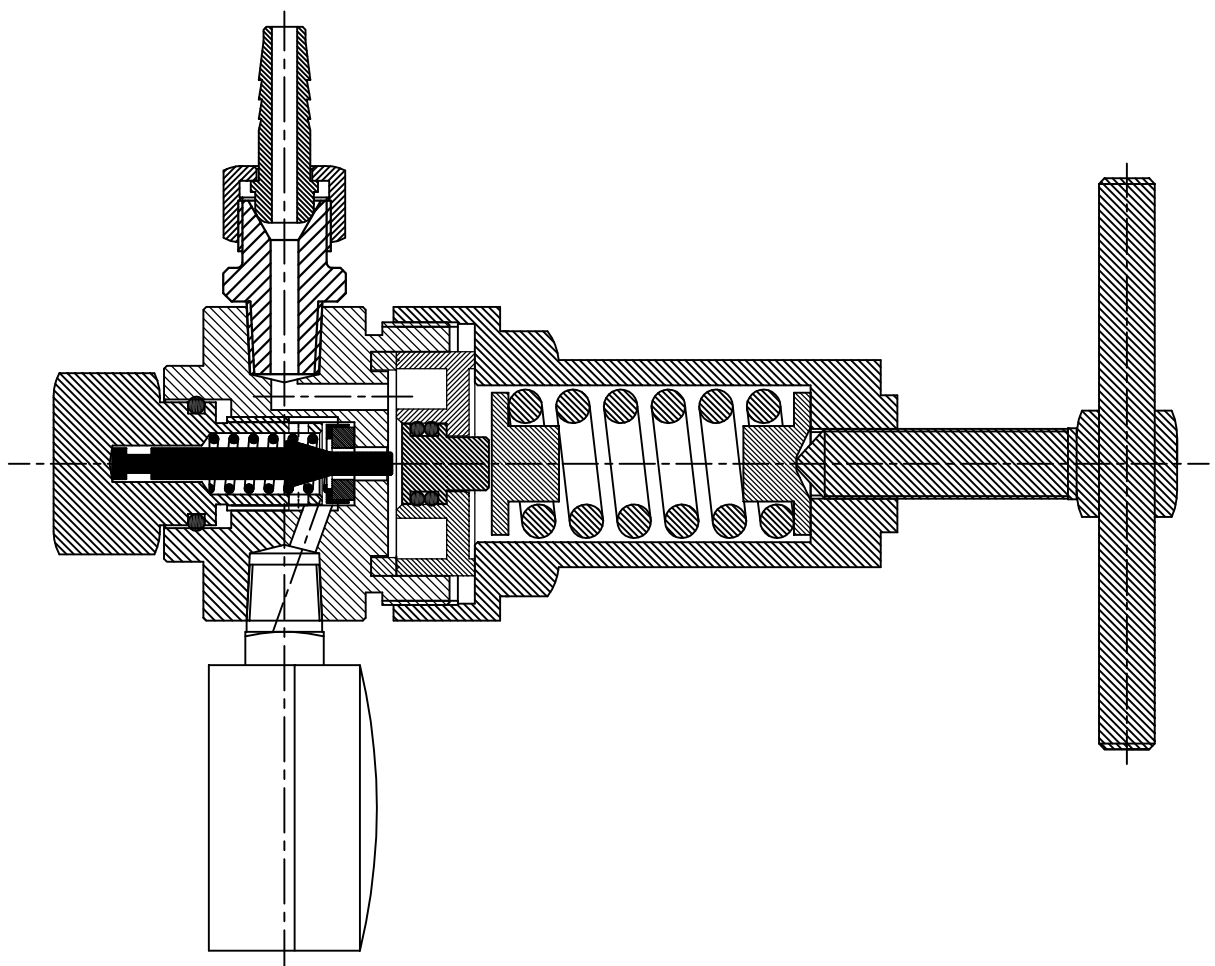


Specification :-

1. Extra High Pressure Double Meter Helium Regulator
2. Piston Type Diaphragm to withstand with High Outlet Pressure
3. Inlet Pressure :- (0-400 Bar)
4. Outlet / Working Pressure :- (0-120 Bar )
5. Outlet Connection:- 3/8" - 19 BSP (RH)



Inlet Connection ( Helium )  
G 3/4" - 14 TPI - RH



SECTION