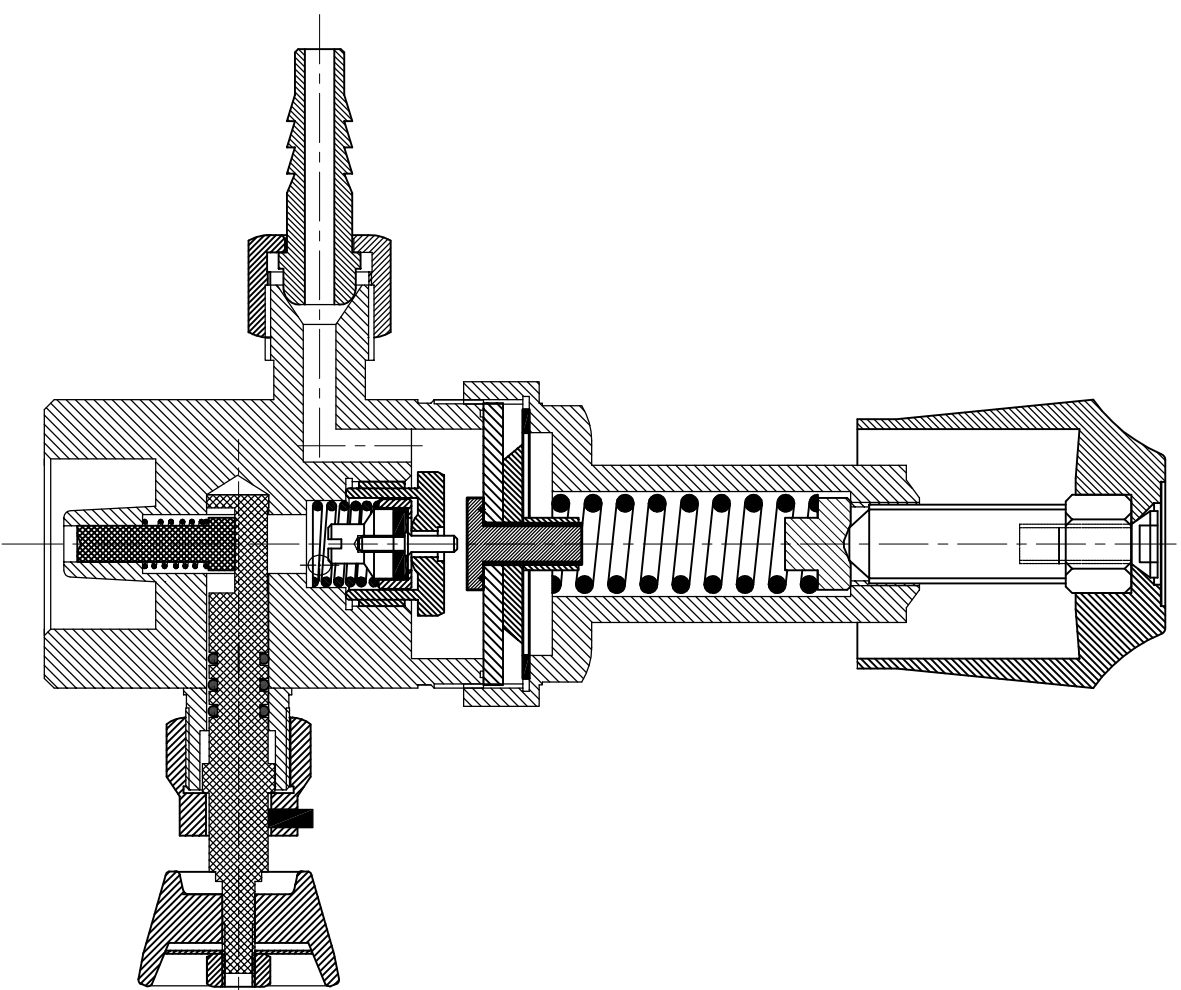
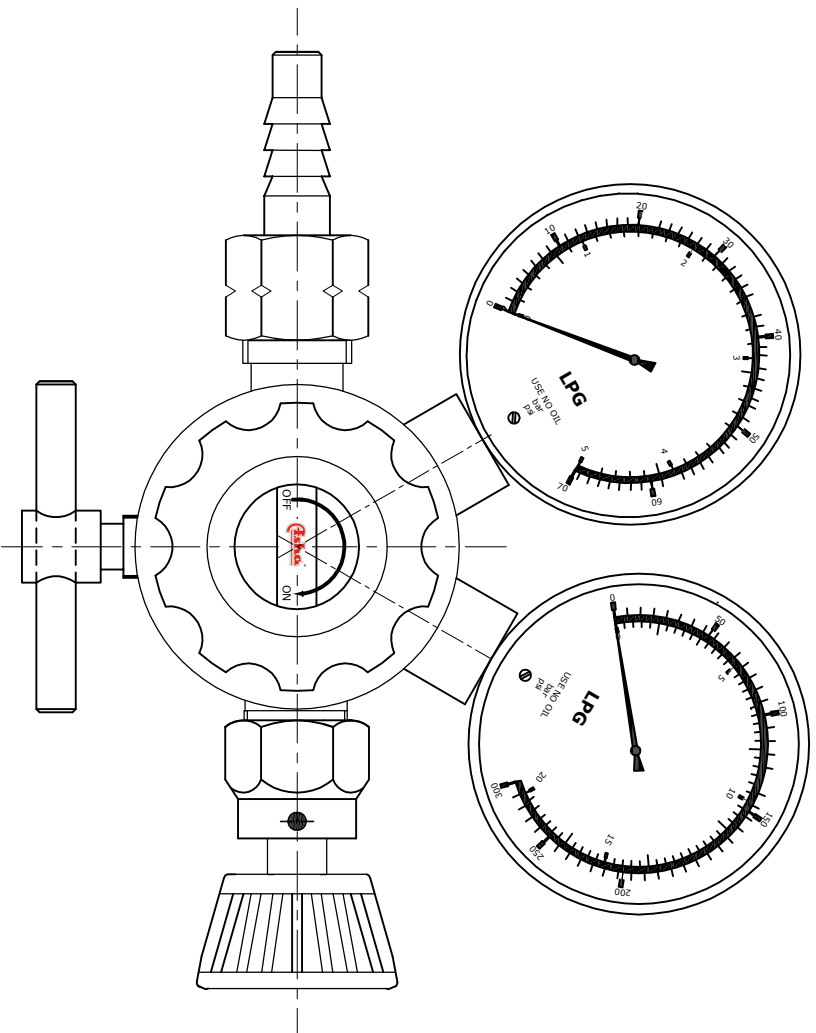


Specification :-

1. Pin Type Cooking Gas Double Meter LPG Regulator
2. Inlet Pressure :- (0-8 Bar)
3. Outlet / Working Pressure :- (0-1.5 Bar )
4. Outlet Connection:- 3/8" - 19 BSP (LH)



SECTION