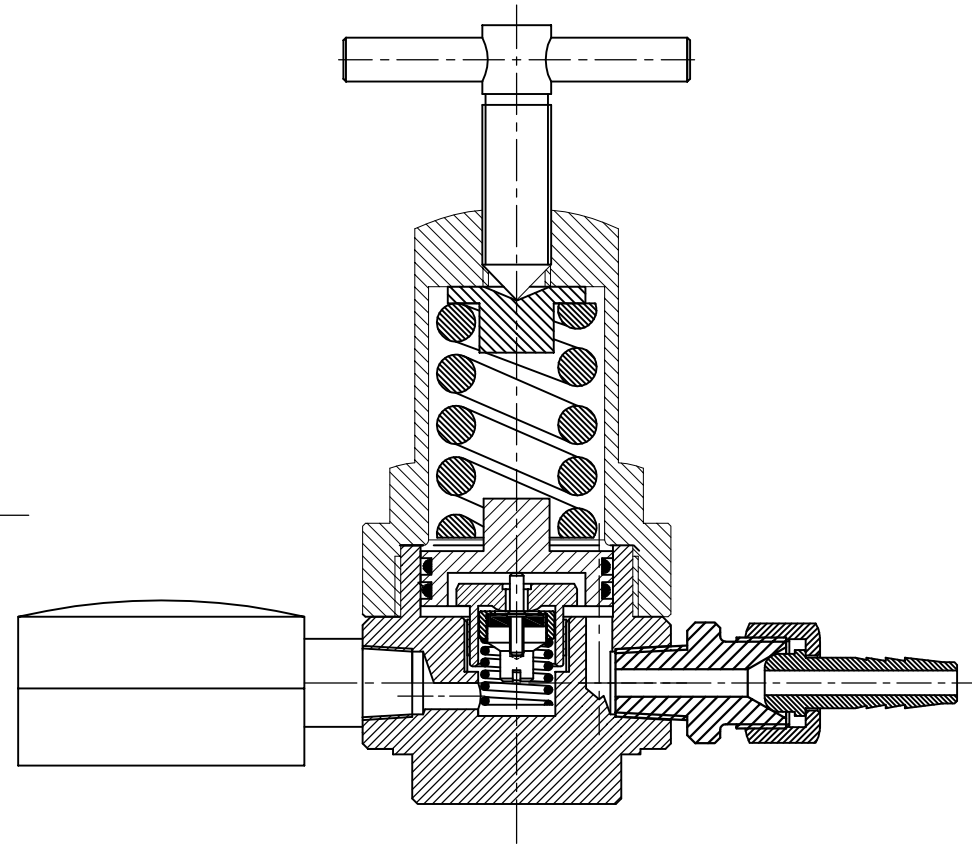
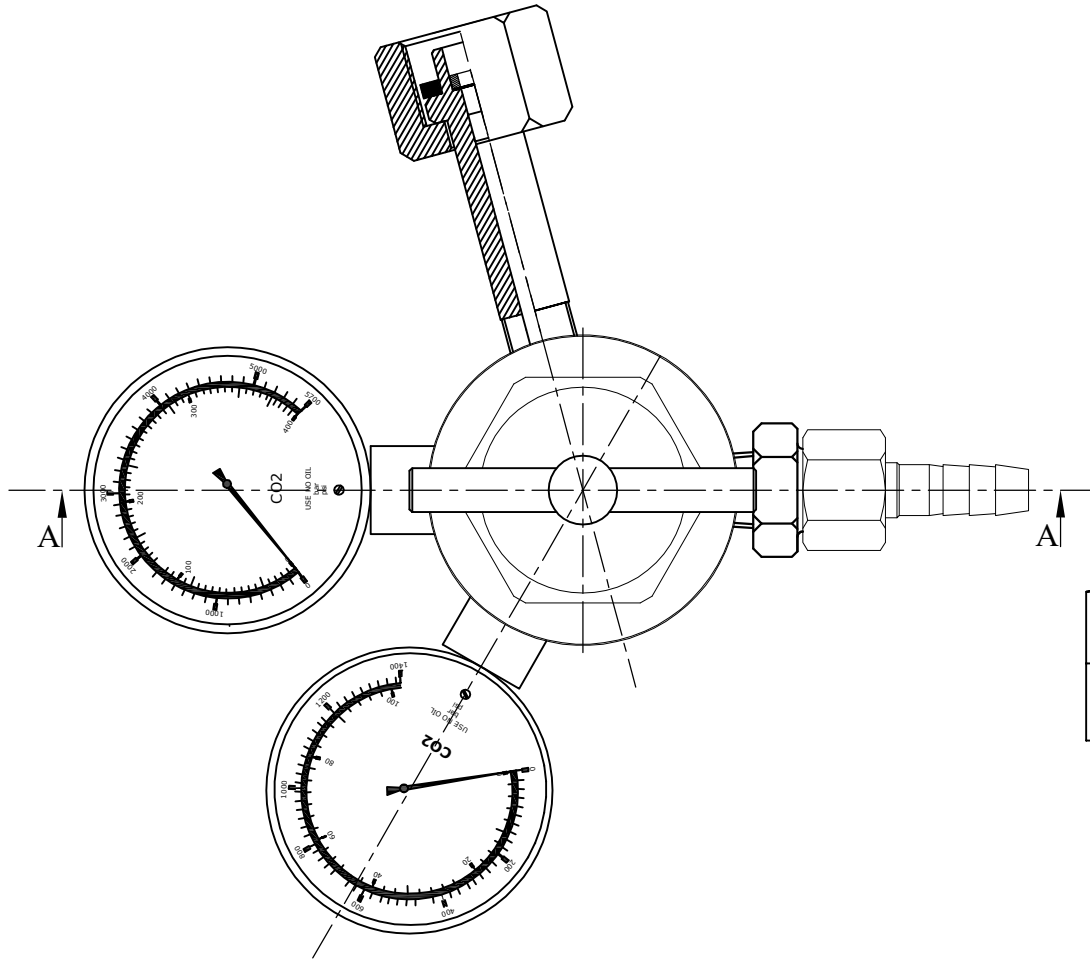


Specification :-

1. High Pressure Double Meter Carbon Di Oxide Rgulator
2. Piston Type Diaphragm to withstand with High Outlet Pressure
3. Inlet Pressure :- (0-400 Bar)
4. Outlet / Working Pressure :- (0-40 Bar )
5. Outlet Connection:- 3/8" - 19 BSP( RH)



SECTION