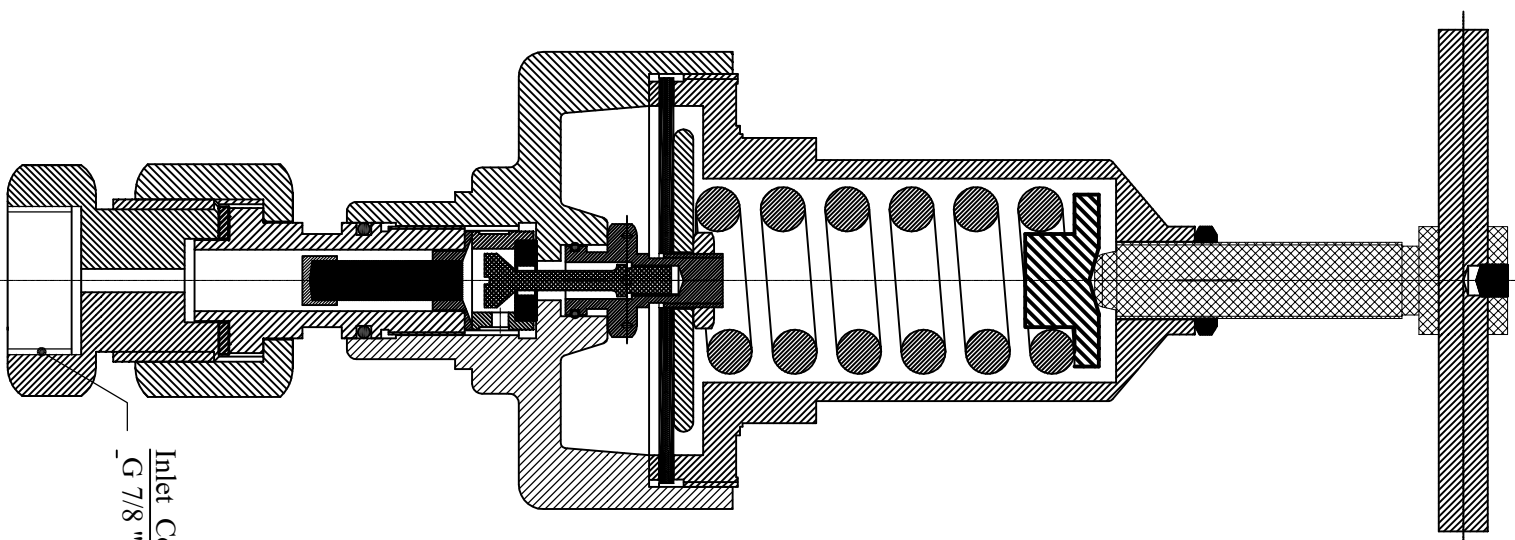
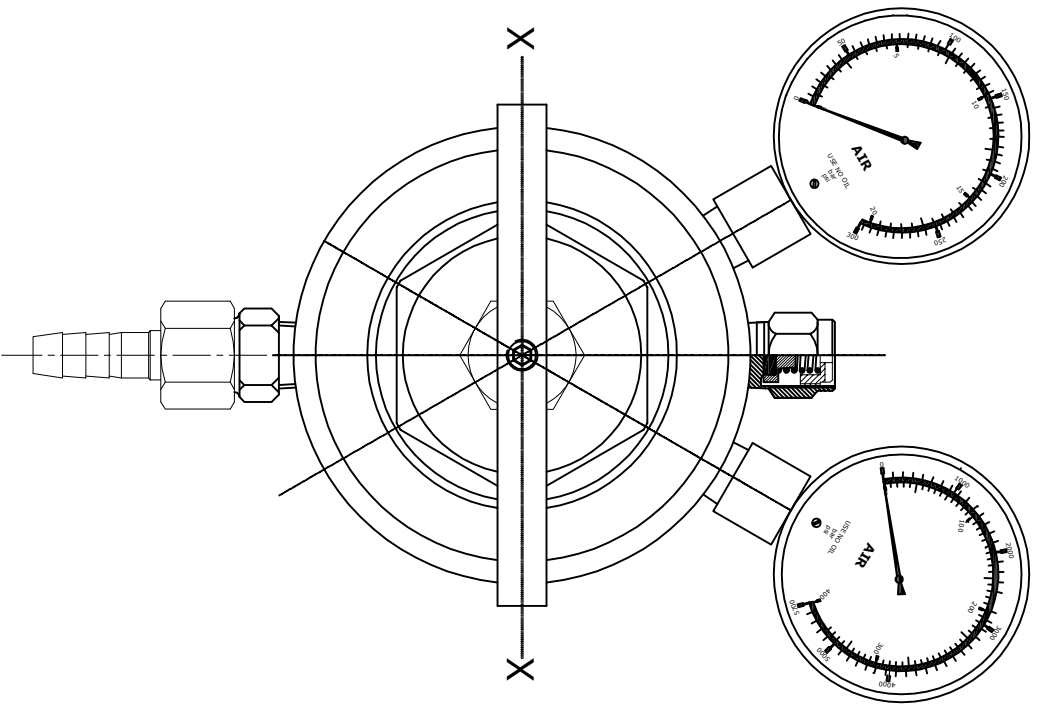


Specification :-

1. High Flow Manifold Double Meter Air Regulator (AOX-14)
2. Inlet Pressure :- (0-400 Bar)
3. Outlet / Working Pressure :- (0-14 Bar)
4. Safety Pressure :- (12 Bar)
5. Outlet Connection:- 3/8" - 19 BSP (RH)



Inlet Connection (Air)
G 7/8" - 14 TPI (RH)