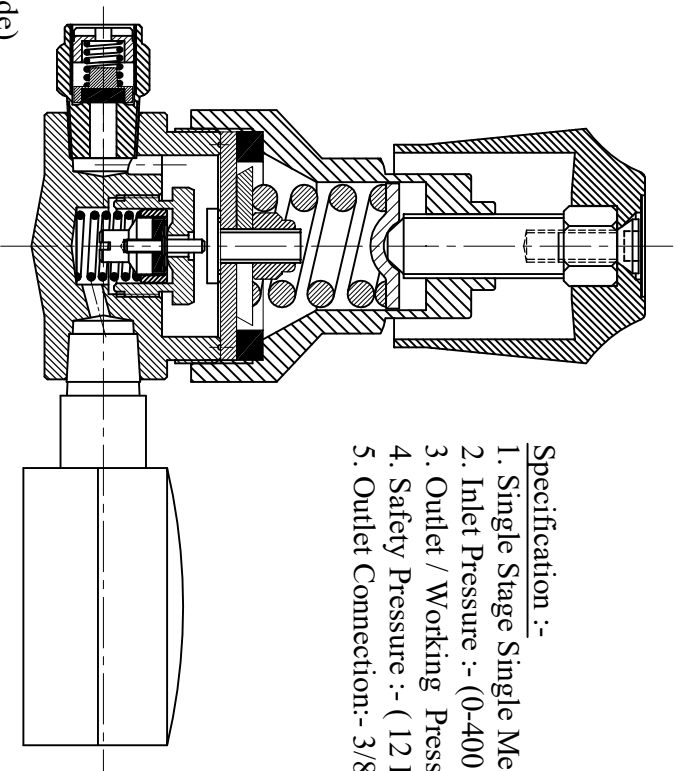


Inlet Connection ( Carbon Dioxide)  
W21.8 -1.814 ( RH)



SECTION

Specification :-

1. Single Stage Single Meter Carbon Dioxide Regulator
2. Inlet Pressure :- (0-400 Bar)
3. Outlet / Working Pressure :- (0-10 Bar )
4. Safety Pressure :- ( 12 Bar)
5. Outlet Connection:- 3/8" - 19 BSP( RH)