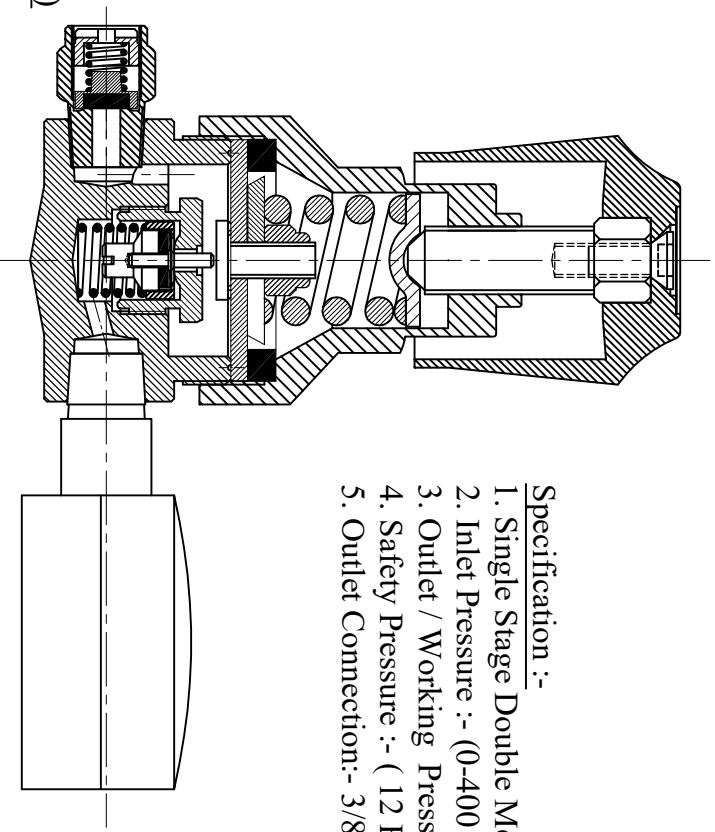


Inlet Connection (Nitrous Oxide)  
 W17.42 x 1.27 (RH)



Specification :-

1. Single Stage Double Meter Nitrous Oxide Regulator
2. Inlet Pressure :- (0-400 Bar)
3. Outlet / Working Pressure :- (0-10 Bar )
4. Safety Pressure :- ( 12 Bar)
5. Outlet Connection:- 3/8" - 19 BSP( RH)